

REPAIRS
SERVICE
MODERNISATION
INSTALLATION

MANUFACTURING
DESIGN
MAINTENANCE
COMPUTERISED SERVICE MANAGEMENT



> Platform Lifts





> Platform Lifts > > > >

FOR USE BY PEOPLE WITH IMPAIRED MOBILITY

WELCOME TO ASCENDANT LIFTS

Ascendant lifts is a company dedicated to customer's satisfaction, our aim is to deliver our customers total peace of mind by:

- > Our commitment to forging strong relationships with customers and suppliers, through ongoing communications and delivering on our promises.
- > Providing the highest level of lift design and manufacturing expertise. We have many years of supplying cost-effective, bespoke solutions to the most exacting specifications.
- > Offering reliable and regular UK local support to new and existing lift installations. Fast, efficient call out response with regular maintenance programmes.



SPECIFICATION

- > Model - Glide
- > Height - up to 9000mm
- > No of stops - up to 6
- > Rated load - 400KG
- > Platform sizes -
1400 x 1100
1400 x 1000
1400 x 900
- > Pit depth - 50mm
or no pit with a ramp
- > Power - 240v 20A or
415v 3 phase 10A
- > Lifting Mechanism -
Self sustained nut and screw
Soft start and stop
Automatic lubrication

OPTIONS

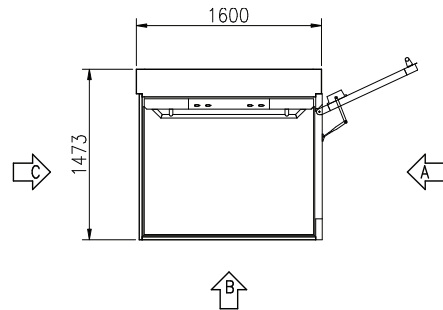
- > Powered emergency lowering
- > Rear cladding
- > Glazing panels
- > Extended top enclosure height
- > Special RAL colours
- > Split mast option for installation access
- > Autodialer
- > Inductive loop
- > Voice annunciation
- > Visual indicator on the platform
- > Key operated door call points
- > External roof

DOOR OPTION

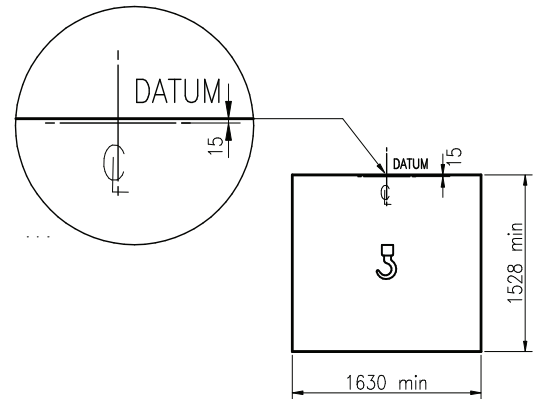
- > Powered operation
- > Special RAL colours
- > Half size doors for top floor landings
- > 1 hour fire rating to
BS EN 1634-1:2000

CONFORMS TO

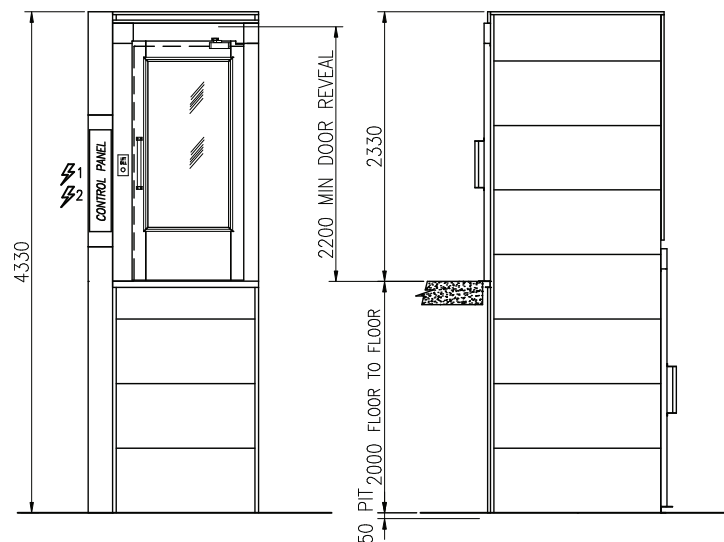
- > ISO 9366-1
- > Building Regulation 2000 Part M
- > CE approved



SECTION THROUGH LIFT AT GROUND FLOOR

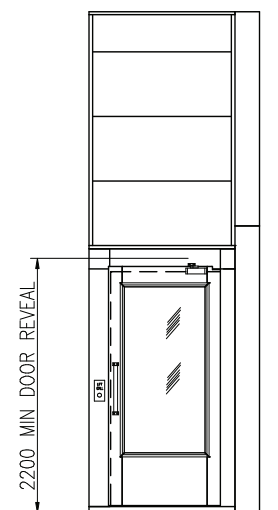


PIT / HOLE THROUGH FLOOR DETAILS



VIEW ON SIDE C

VIEW ON SIDE B



VIEW ON SIDE A